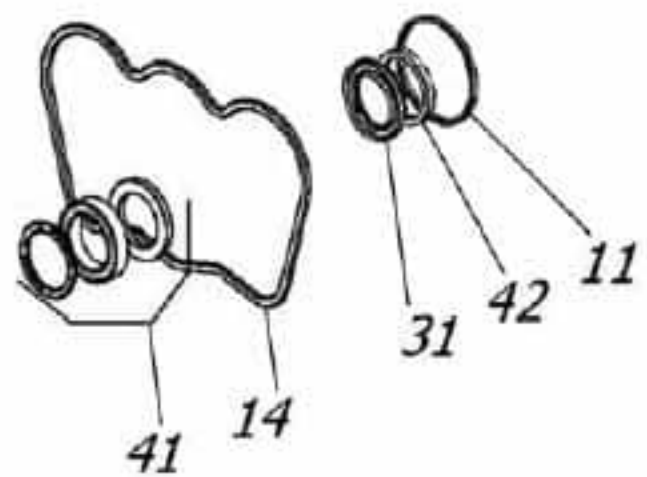
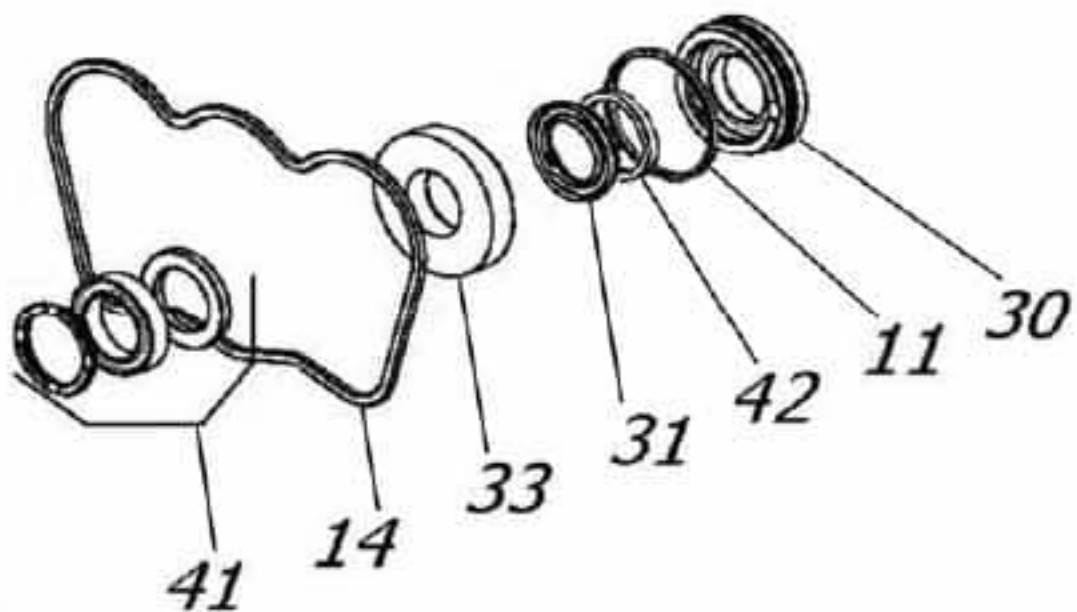


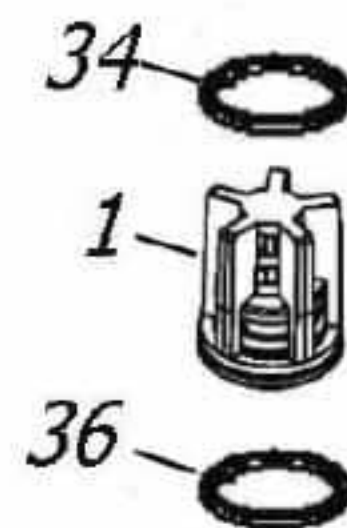
**KIT 296 (FROM 03/14)**  
**KIT 261 (BEFORE 03/14)**



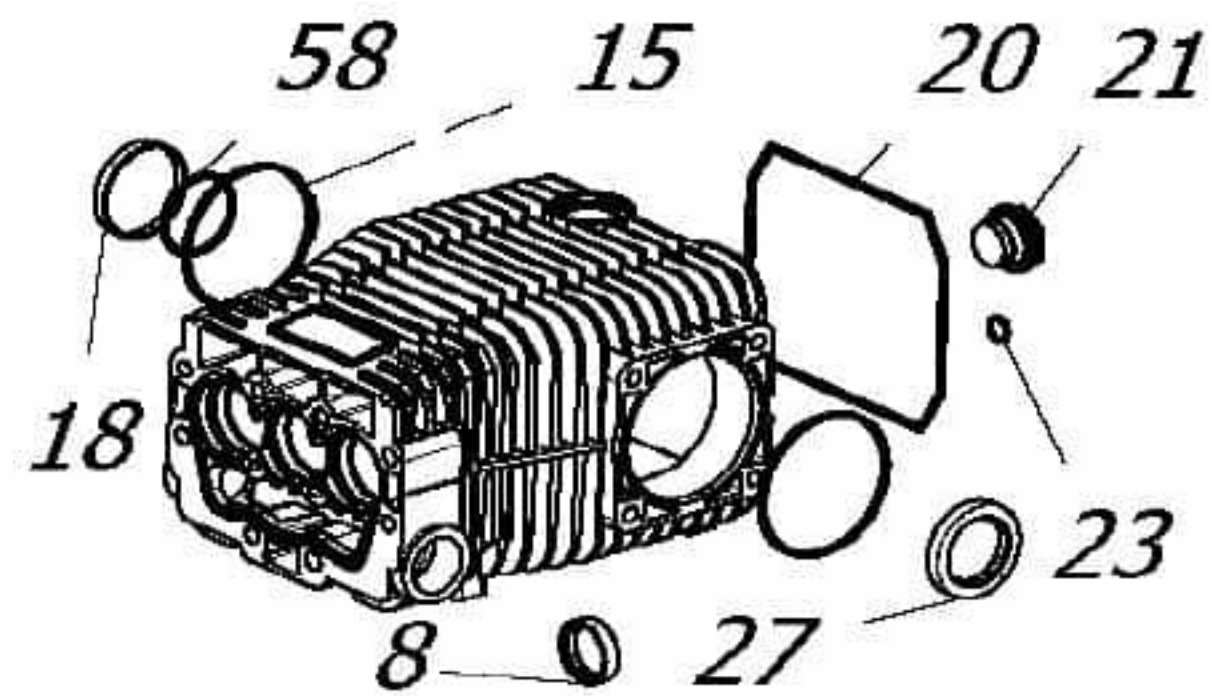
**KIT 297 (FROM 03/14)**  
**KIT 260 (BEFORE 03/14)**



**KIT 262**



**KIT 147**



POS.	CODICE PART NO. RÉF.	DENOMINAZIONE - DESCRIPTION - DESCRIPTION	Q.TY
1-kit 262	089850973	VALVES ASSEMBLY	6
2	080275092	PUMP CRANKCASE	1
3	080266262	CRANCKSHAFT RD 7515	1
3	080267262	CRANCKSHAFT RD 6315	1
4	080289112	CONNECTING ROD	3
5	080243492	PISTON PIN	3
6	080276512	PLUNGER ROD	3
7	080287182	CERAMIC PISTON D.30	3
8-kit 146-147	802092002	OIL SEAL D25	3
9	844031002	WASHER	3
11-kit 296-297-260-261	803080002	O-RING	3
12	080271412	BEARING SPACER	2
14-kit 296-297-260-261	080021312	PARTICULAR PROFILE GASKET	1
15-kit 147	803210642	O-RING	2
16	060017092	BEARING COVER	2
17	060020322	OIL FILLER PLUG WITH DIP STICK	1
18-kit 147	060059322	OIL SIGHT GLASS	1
19	080006092	CRANKCASE COVER	1
20-kit 147	803210882	O-RING	1
21-kit 147	853515502	OIL SIGHT GLASS + O-RING	1
22	852543502	PLUG G1/4X9	1
23-kit 147	803057002	O-RING	1
24	801140002	CIRCLIP	6
25	863265002	BOLT	8
26	862108002	BOLT	4
27-kit 147	802143002	OIL SEAL	1
28	852712002	PLUG G1	1
28	852712532	PLUG G1 BRASS (OPTIONAL)	1
29	824230002	GASKET	1
30-kit 261	080282532	BACK GLAND D.30 (BEFORE 03/14)	3
30-kit 297	080292532	BACK GLAND D.30 (FROM 03/14)	3
31-kit 260-261	802165502	"U" PACKING 30X39,4 (BEFORE 03/14)	3

POS.	CODICE PART NO. RÉF.	DENOMINAZIONE - DESCRIPTION - DESCRIPTION	Q.TY
31-kit 296-297	802164702	"U"PACKING 30x38 (FROM 03/14)	3
33-kit 261	080281532	FRONT GLAND (BEFORE 03/14)	3
33-kit 297	080291532	FRONT GLAND (FROM 03/14)	3
34-kit 262	803208102	O-RING	6
35	080279282	PUMP HEAD	1
36-kit 262	803205502	O-RING	6
37	852629002	PLUG G1/2	1
37	852629532	PLUG G1/2 BRASS (OPTIONAL)	1
38	824140002	GASKET	1
39	812870002	BEARING	2
40	863560002	BOLT	6
41-kit 296-297-260-261	802164402	PACKING D.30x40	3
42-kit 296-297	080293542	SCRAPER RING (FROM 03/14)	3
44	080280282	VALVE COVER	2
45	863560502	BOLT	3
46	863300002	BOLT	10
47	863591002	BOLT	2
48	824051002	COPPER WASHER	3
50	060123612	SHEET	1
51	089829973	MOUNTING RAILS KIT (OPTIONAL)	1
55	863212002	BOLT (OPTIONAL)	4
56	080053612	MOUNTING RAIL (OPTIONAL)	2
57	806534002	TAB 8X7X35	1
58-kit 147	803265002	O-RING	1
REPAIR KIT	NO,s INCLUDED	PCS.	
kit 146	089816973	SPARE PARTS KIT	3
kit 147	089817973	SPARE PARTS KIT	11
kit 262	089853973	SPARE PARTS KIT	18
kit 261	089852973	SPARE PARTS KIT (BEFORE 03/14)	22
kit 297	089871973	SPARE PARTS KIT (FROM 03/14)	25
kit 260	089851973	SPARE PARTS KIT (BEFORE 03/14)	16
kit 296	089870973	SPARE PARTS KIT (FROM 03/14)	19