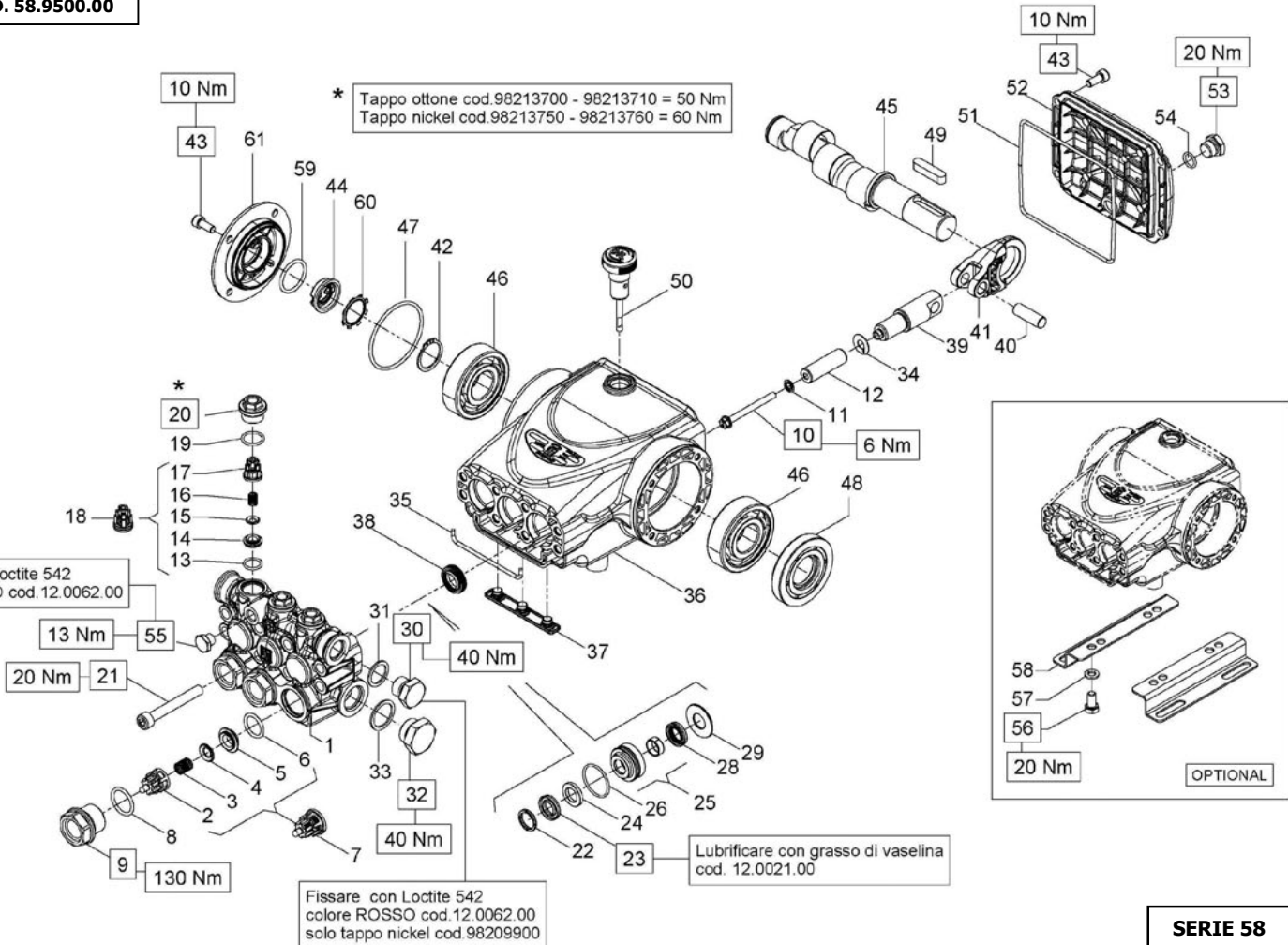


DIS. COD. 58.9500.00



SERIE 58

**E2B1618 - E2B1711 - E2B1712 - E2B1713
E2B2014 - E2B2015 - E2C1713 - E2C1714
E2C1715 - E2C2016**

PISTON - PISTONE D. 18	PISTON - PISTONE D. 20
E2B1711 - E2B1712 - E2B1713 E2B2014 - E2B2015 - E2C1713 E2C1714 - E2C1715 - E2C2016	E2B1618

OTTONE - BRASS	NICKEL
E2B1711 - E2B1712 - E2B1713 E2B2014 - E2B2015 - E2C1713 E2C1714 - E2C1715 - E2C2016 E2B1618	E2B2015

POS	COD.	DESCRIZIONE - DESCRIPTION - KIT	NR
1	58.1202.41 58.1206.41 58.1207.41	Testata pompa D. 18 Testata pompa D. 20 Testata pompa D. 18 - NK	1
2	36.2025.51	Guida valvola d'aspirazione 269	3
3	94.7376.00	Molla Dm. 9.4x14.8 269	3
4	36.2001.76	Valvola sferica 269	3
5	36.2003.66	Sede valvola d'aspirazione 269	3
6	90.3841.00	OR D. 17.13x2.62 NBR 70SH 3068 269	3
7	36.7115.01	Gr. valvola d'aspirazione 269	3
8	90.3847.00	OR D. 20.29x2.62 NBR 90SH 3081 270-292	3
9	98.2226.00 98.2225.00	Tappo M24x1.5x16.7 270 Tappo M24x1.5x16.7 - NK 292	3
10	99.1690.00	Vite M5x55	3
11	96.6905.00	Rosetta D. 5.0x11.5x0.4	3
12	58.0402.09 59.0400.09	Pistone D. 18x42 Pistone D. 20x42	3
13	90.3674.00	OR D. 12.00x2.00 NBR 70SH 269	3
14	36.2113.66	Sede valvola di mandata 269	3
15	36.2112.76	Valvola sferica 269	3
16	94.7333.00	Molla Dm. 6.2x10.4 269	3
17	36.2111.51	Guida valvola di mandata 269	3
18	36.7193.01	Gr. valvola mandata 269	3
19	90.3593.00	OR D. 15.60x1.78 NBR 70SH 2062 270-292	3

KIT RICAMBI - SPARE KITS

KIT NR.	KIT 269	KIT 270	KIT 292	KIT 271	PISTON - PISTONE D. 18		PISTON - PISTONE D. 20	
					KIT 274	KIT 277	KIT 329	KIT 330
Posizioni include Positions included	2 - 3 - 4 5 - 6 - 13 14 - 15 - 16 17 - (7) - (18)	8 - 9 19 - 20	8 - 9 19 - 20	38	22 - 23 24 - 26 28	22 - 23 24 - 25 26 - 28 29	22 - 23 24 - 26 28	22 - 23 24 - 25 26 - 28 29
Nr. Pcs.	3 + 3	3 + 3	3 + 3	3	3	1	3	1

POS	COD.	DESCRIZIONE - DESCRIPTION - KIT	NR
20	98.2137.00 98.2137.50	Tappo M18x1.5x10 270 Tappo M18x1.5x10 - NK 292	3
21	99.3175.00	Vite M8x60 UNI 5931	8
22	63.1011.51 66.1007.51	Anello di testa D. 18 274-277 Anello di testa D. 20 329-330	3
23	90.2653.50 90.2691.00	An. ten. alt. D. 18.0x28.0x6.0/3,7 HP 274-277 An. ten. alt. D. 20.0x30.0x6.0/3,7 HP 329-330	3
24	90.5111.50 90.5134.00	Anello antiest. D. 18x28x2 274-277 Anello antiest. D. 20x30x2 329-330	3
25	58.6058.01 58.6059.01	Gr. supp. guarn./boccola D. 18 277 Gr. supp. guarn./boccola D. 20 330	3
26	90.3606.00 90.3608.00	OR D. 26.7x1.78 NBR 70SH 2106 274-277 OR D. 28.3x1.78 NBR 70SH. 2112 329-330	3
28	90.2650.00 90.2687.50	Anello ten. alt. D. 18x24x5 LP 274-277 Anello ten. alt. D. 20x26x5 LP 329-330	3
29	58.2108.70 58.2110.70	Anello per tenuta D. 18 277 Anello per tenuta D. 20 330	3
30	98.2100.00 98.2099.00	Tappo G 3/8"x13 Tappo G 3/8"x13 - NK	1
31	96.7380.00	Rosetta D. 17.5x23.0x1.5	1
32	98.2176.00 98.2179.00	Tappo G 1/2"x10 Tappo G 1/2"x10 - NK	1
33	96.7514.00	Rosetta D. 21.5x27.0x1.5	1
34	96.6990.00	Rosetta D. 7.5x23.0x0.5	3
35	58.2105.82	Guarnizione spugna D. 3.0x94.0	1
36	58.0100.22	Carter pompa	1
37	58.2104.51	Protezione	1
38	90.1565.50	Anello rad. D. 15.0x24.0x5.0/7.0 271	3

POS	COD.	DESCRIZIONE - DESCRIPTION - KIT	NR
39	58.0500.66	Guida pistone	3
40	97.7340.00	Spinotto D. 10x29.5	3
41	58.0300.22	Biella	3
42	90.0635.00	Anello d'arresto D. 25	1
43	99.1837.00	Vite M6x14 UNI 5931	8
44	53.2108.51	Vetrino spia livello olio	1
45	63.0212.35 63.0291.35 63.0216.35 63.0218.35 58.0201.65	Alb. ecc. C.10 - E2B1711 E2C1713 Alb. ecc. C.11 - E2B1712 E2C1714 Alb. ecc. C.12 - E2B1713 E2C1715 Alb. ecc. C.13 - E2B2014 E2C2016 Alb. ecc. C.14 - E2B1618 E2B2015	1
46	91.8331.00	Cuscinetto a sfere	2
47	90.3898.00	OR D. 56.82x2.62 NBR 70SH 3225	1
48	90.1641.00	Anello rad. D. 25.0x62.0x10.0	1
49	91.4892.00	Linguetta 8.0x7.0x35.0	1
50	98.2105.00	Asta livello olio G 3/8"x51	1
51	90.3925.50	OR D. 113.97x2.62 NBR 70SH 3450	1
52	58.1600.22	Coperchio posteriore	1
53	98.2042.50	Tappo G 1/4"x9 TE17 - Zinc.	1
54	90.3585.00	OR D. 10.82x1.78 NBR 70SH 2043	1
55	98.1966.00 98.1967.00	Tappo G 1/8"x8 Tappo G 1/8"x8 - NK	1
56	99.3037.00	Vite M8x16 UNI 5739	4
57	96.7016.00	Rosetta D. 8.4x14.4x2.0	4
58	50.2000.74	Piedino pompa	2
59	90.3859.00	OR D. 25.07x2.62 NBR 70SH 3100	1
60	90.0671.00	Anello d'arresto ZJ30	1
61	58.1501.22	Coperchio laterale carter	1