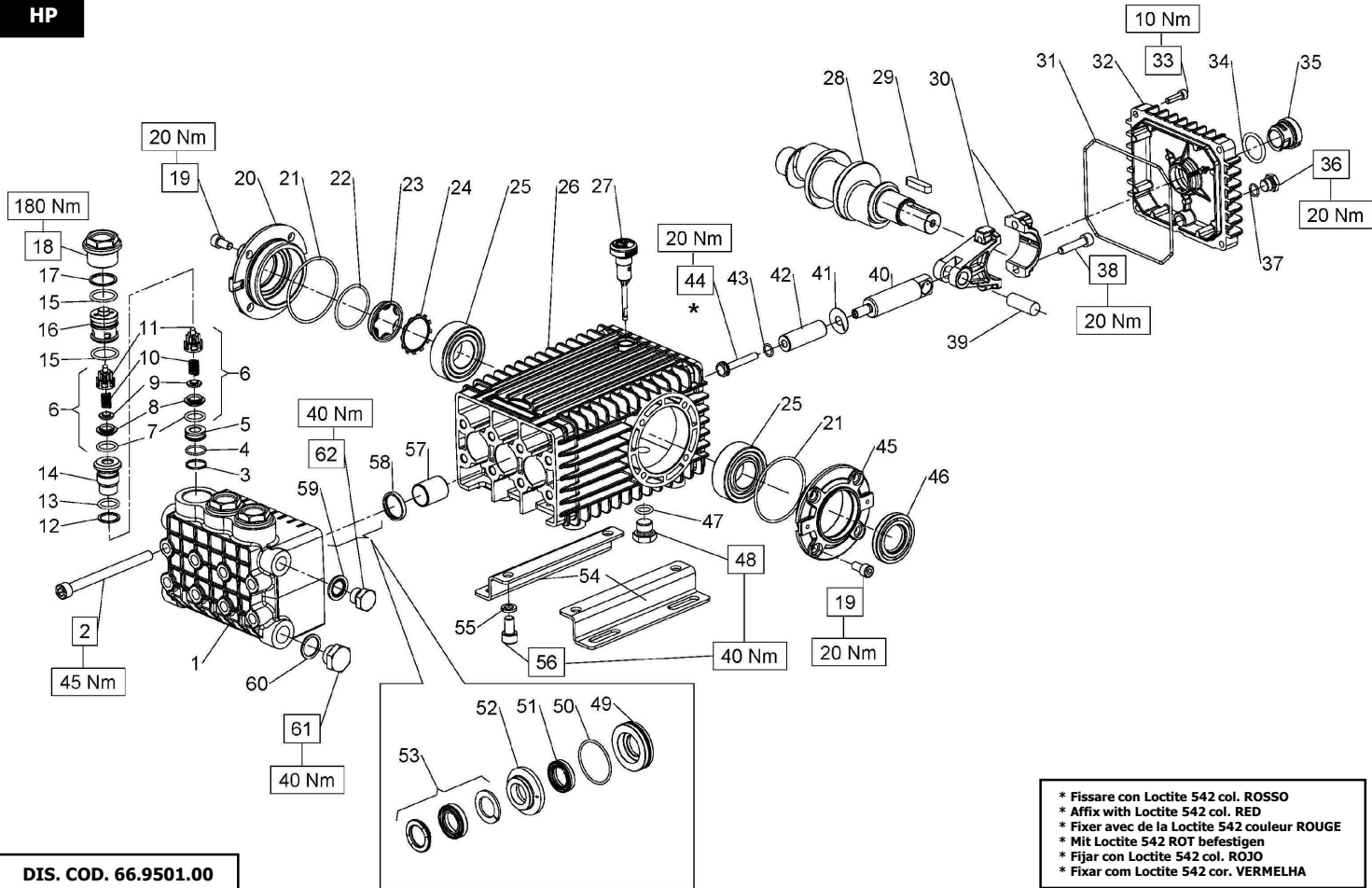


SERIE 66

HP



DIS. COD. 66.9501.00

- * Fissare con Loctite 542 col. ROSSO
- * Affix with Loctite 542 col. RED
- * Fixer avec de la Loctite 542 couleur ROUGE
- * Mit Loctite 542 ROT befestigen
- * Fijar con Loctite 542 col. ROJO
- * Fixar com Loctite 542 cor. VERMELHA

**W5015 - W4518 - W4015
W4018 - W3521 - W3523
T4018 - W5018 - T5018
T5015**

KIT RICAMBI – SPARE KITS

PISTONE - PISTON D. 16

PISTONE - PISTON D. 18

KIT Nr.	KIT 2	KIT 3	KIT 150	KIT 174	KIT 175	KIT 180	KIT 176
Posizioni include Positions included	58	46	7 - 8 9 - 10 11 (6)	51- 53	49 - 50 51 - 52 53	51- 53	49 - 50 51 - 52 53
Nr. Pcs.	3	2	6	3	1	3	1

POS	COD.	DESCRIZIONE – DESCRIPTION - KIT	NR
39	97.7405.00	Spinotto D. 14x39	3
40	66.0500.66	Guida pistone	3
41	96.7101.00	Rosetta D. 10.0x28.0x0.5	3
42	66.0402.09 66.0403.09	Pistone D. 16x54 Pistone D. 18x54	3
43	90.3584.00	OR D. 10.82x1.78 NBR SH. 90 2043	3
44	66.2195.66	Vite fissaggio pistone	3
45	47.1510.22	Coperchio laterale lato PTO	1
46	90.1648.00	Anello rad. D. 30.0x56.0x7.0	3 1
47	90.3833.00	OR D. 13.95x2.62 NBR SH. 70 3056	1
48	98.2100.50	Tappo G 3/8"x13 TE22 – Zinc.	1
49	66.0802.70 66.0803.70	Anello di fondo D. 16 Anello di fondo D. 18	175 176 3
50	90.3616.00	OR D. 34.65x1.78 NBR SH. 70 2137 175-176	3
51	90.2631.00 90.2652.00	Anello tenuta D. 16x24x6.5 LP Anello tenuta D. 18x26x6.5 LP	174-175 180-176 3
52	66.2162.70 66.2163.70	Anello intermedio D. 16 Anello intermedio D. 18	175 176 3
53	90.2634.00 90.2655.00	Anello tenuta D. 16x26x9.5 HP Anello tenuta D. 18x28x10 HP	174-175 180-176 3
54	47.2000.74	Piedino pompa	2
55	96.7106.00	Rosetta D. 10.2x16.0x2.5	4
56	99.3644.00	Vite M10x18 UNI 5931	4
57	90.9126.00	Boccola D. 22x25x30	3
58	90.1625.00	Anello rad. D. 22.0x32.0x5.5	2 3
59	93.1858.00	Rondella di tenuta G 3/8"	1
60	96.7514.00	Rosetta D. 21.5x27.0x1.5	1
61	98.2176.00	Tappo G 1/2"x10	1
62	98.2100.00	Tappo G 3/8"x13	1

	PISTONE – PISTON – D. 16	PISTONE – PISTON – D. 18
OTTONE BRASS	W5015 - W4518 - W4015 W4018 - T4018 - T5015	W3521 - W3523
NICKEL	W5018 - T5018	-

POS	COD.	DESCRIZIONE – DESCRIPTION - KIT	NR
18	66.1301.41 66.1310.41	Tappo valvole M32x1.5x18.5 Tappo valvole M32x1.5x18.5 – NK	3
19	99.3039.00	Vite M8x16 UNI 5931	8
20	47.1512.22	Coperchio laterale lato spia	1
21	90.3913.00	OR D. 67.95x2.62 NBR SH. 70 3268	2
22	90.3877.00	OR D. 39.34x2.62 NBR SH. 70 3156	1
23	70.2118.01	Spia livello olio	1
24	90.0756.00	Anello d'arresto Z145	1
25	91.8380.00	Cuscinetto a rulli	2
26	66.0100.22	Carter pompa	1
27	98.2106.00	Tappo con asta G 3/8"x64	1
28	66.0200.35 66.0204.35 66.0211.35	Albero ecc. C.19 - W5015 W4015 W3521 T4018 T5018 Albero ecc. C.21 - W4518 W4018 W3523 W5018 Albero ecc. C.16 - T5015	1
29	91.4892.00	Linguetta 9.0x7.0x35.0	1
30	66.0300.01	Biella completa	3
31	90.3922.00	OR D. 133.02x2.62 NBR SH. 70 3525	1
32	66.1600.22	Coperchio posteriore	1
33	99.1884.00	Vite M6x20 UNI 5931	4
34	90.4051.00	OR D. 26.58x3.53 NBR SH. 70 4106	1
35	63.2100.51	Spia livello olio	1
36	98.2042.50	Tappo G 1/4"x9 TE17 – Zinc.	1
37	90.3585.00	OR D. 10.82x1.78 NBR SH. 70 2043	1
38	99.3099.00	Vite serraggio biella	6

POS	COD.	DESCRIZIONE – DESCRIPTION - KIT	NR
1	66.1210.41 66.1211.41 66.1240.41 66.1247.41	Testata pompa D. 16 Testata pompa D. 18 Testata pompa D. 16 - W5015 W4518 Testata pompa D. 16 – NICKEL	1
2	99.3820.00	Vite M10x120 UNI 5931	8
3	90.5118.00	Anello antiest. D. 19.5x22.0x1.5	3
4	90.3596.00	OR D. 18.77x1.78 NBR SH. 70 2075	3
5	66.2102.70	Distanziale	3
6	36.7121.01	Gr. valvola aspiraz./mandata	150 6
7	90.3841.00	OR D. 17.13x2.62 NBR SH. 70 3068	150 6
8	36.2003.66	Sede valvola	150 6
9	36.2032.66	Valvola sferica	150 6
10	94.7376.00	Molla Dm. 9.4x14.8	150 6
11	36.2025.51	Guida valvola	150 6
12	90.5115.00	Anello antiest. D. 18.7x23.0x1.5	3
13	90.3843.00	OR D. 17.86x2.62 NBR SH. 70 123	3
14	66.2101.66	Bussola	3
15	90.3857.00	OR D. 23.81x2.62 NBR SH. 70 132	6
16	66.2100.70	Tappo D. 29	3
17	90.5165.00	Anello antiest. D. 24.7x29.0x1.5	3

10